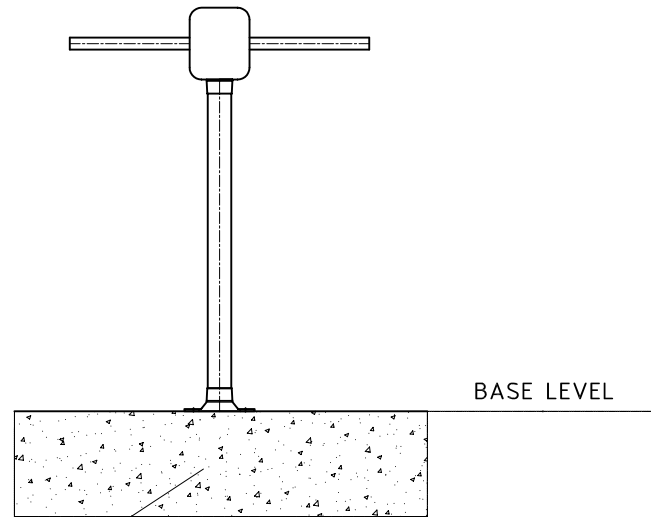
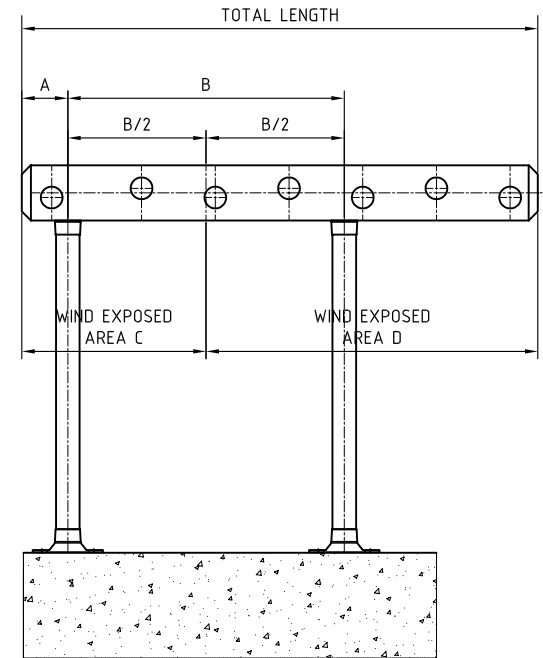


Item	Qty	Name	Shape, dim., drw. no.	Material	Weight



CONCRETE FOUNDATION

BASE LEVEL



Rev.	2005-12-15	Date	Information	JMa	Design.
------	------------	------	-------------	-----	---------

Project	Reference	Scale

Title	GRP SUPPORTS FOR LOCALISER
-------	----------------------------

EXEL
 KIVARA FACTORY
 MJOVLAAKSONTIE 2
 FI-82110 HEINÄVAARA
 Drw. no.
 JMA0512151